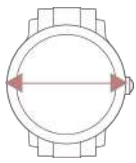


THE MEASUREMENT GUIDE

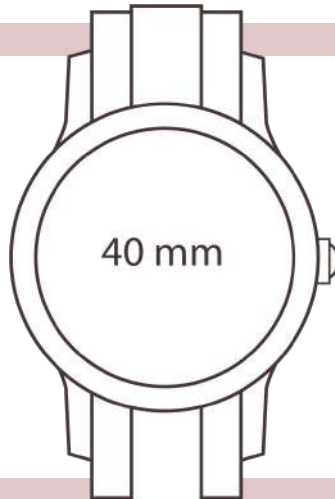
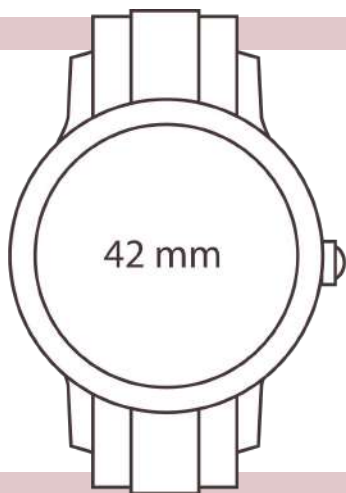
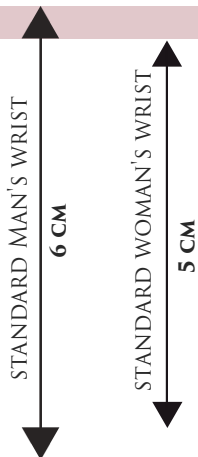
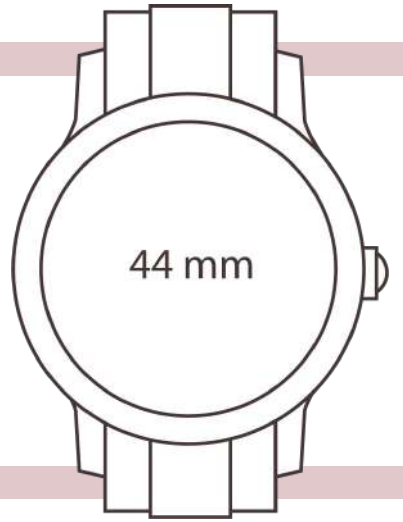
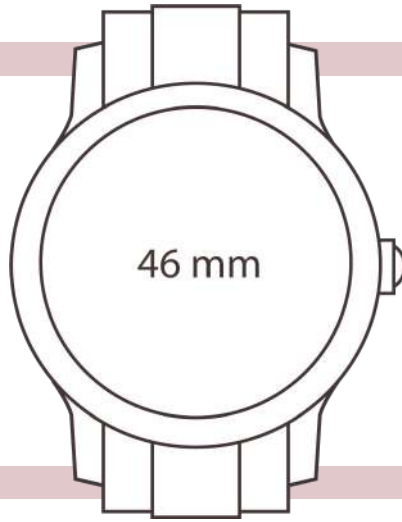
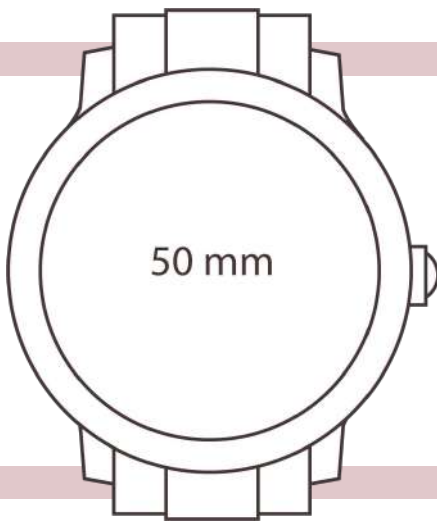
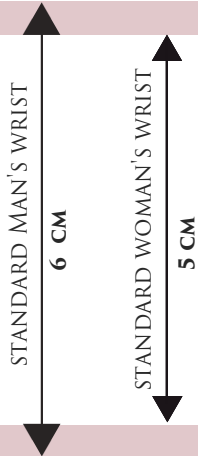
WATCHES

PRINT OPTIONS

FOR AN ACCURATE RESULT, MAKE SURE THAT "NONE" IS INDICATED IN THE "PRINT SETUP" DIALOG BOX UNDER "PRINT OPTIONS". THE D'AMANTE RING SIZING SHEET MUST BE PRINTED IN A4 FORMAT. TO CHECK THAT THE RING MEASUREMENT SHEET HAS BEEN PRINTED CORRECTLY, TAKE A RULER AND MEASURE THE EXAMPLE BELOW: ITS LENGTH MUST BE EXACTLY 2 CM.

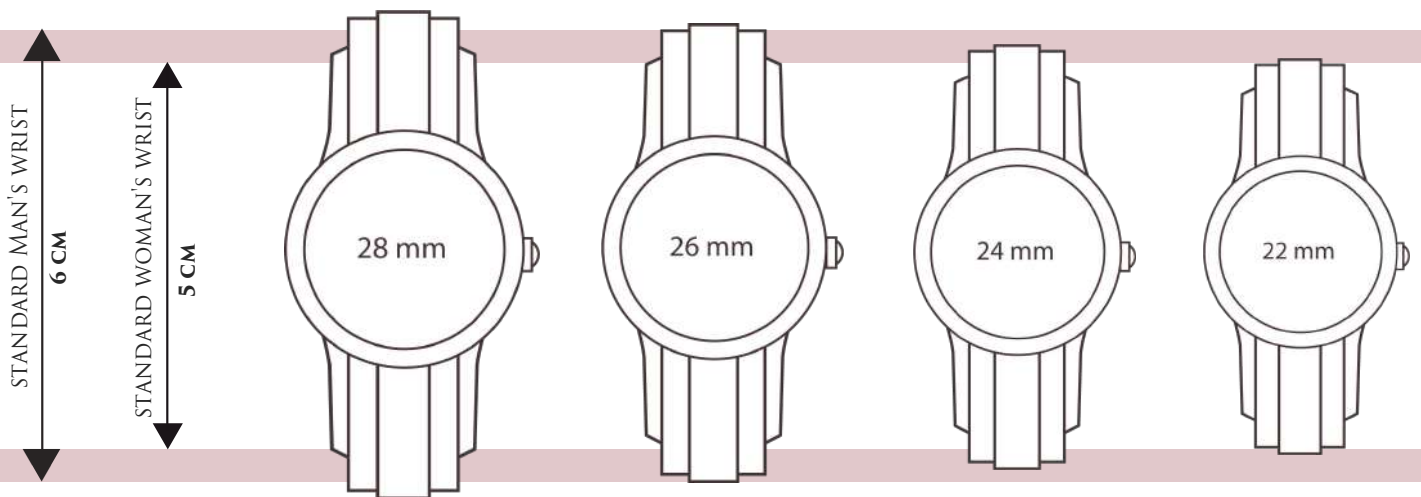
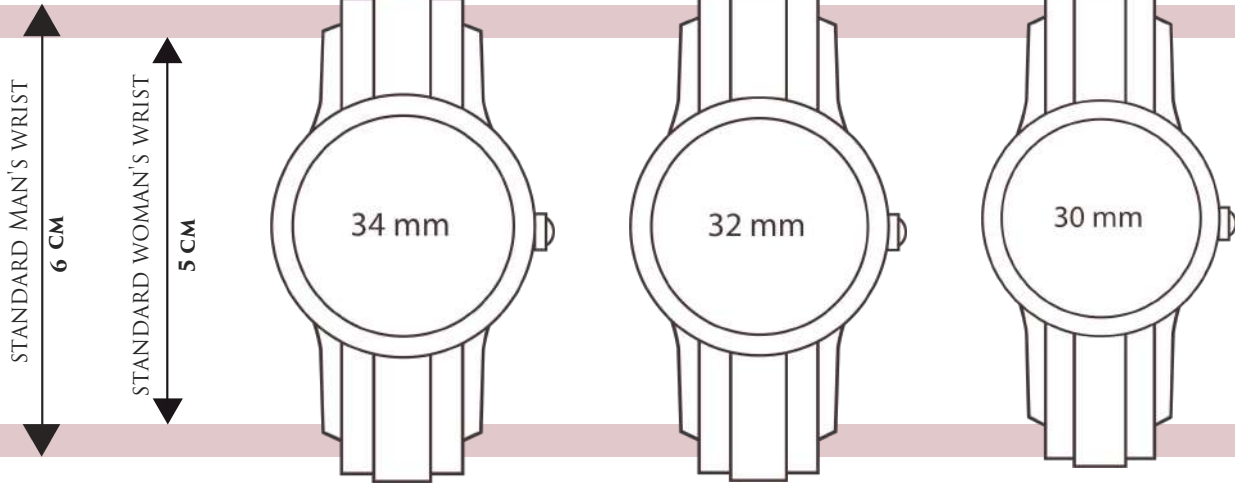


2CM



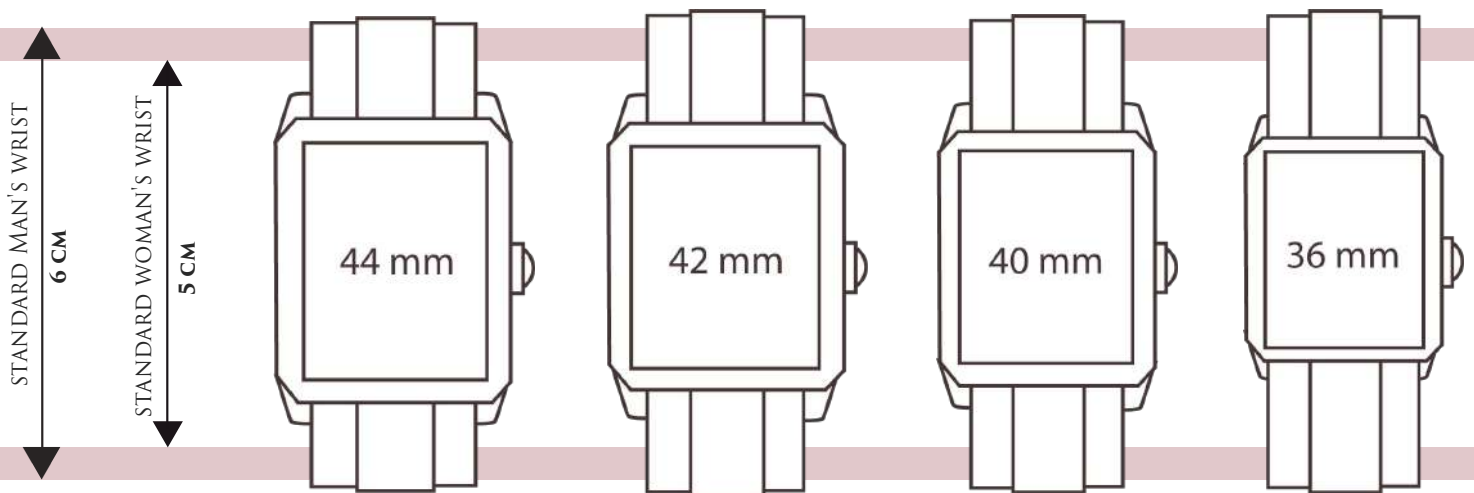
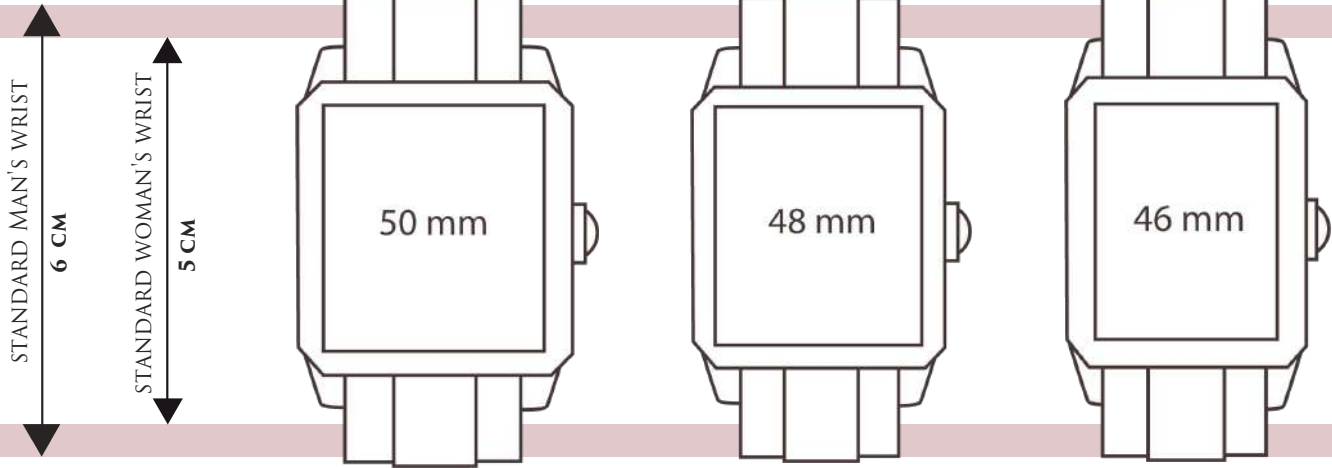
ROUND WATCH CASE

D'AMANTE



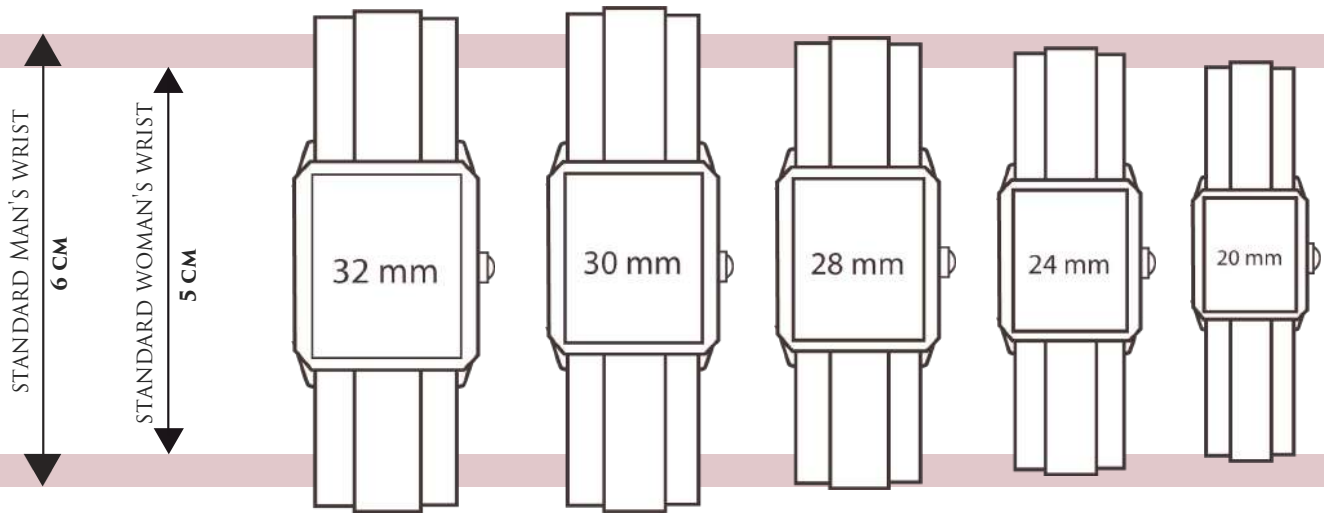
ROUND WATCH CASE

D'AMANTE



RECTANGULAR WATCH CASE

D'AMANTE



RECTANGULAR WATCH CASE

CASE THICKNESS

